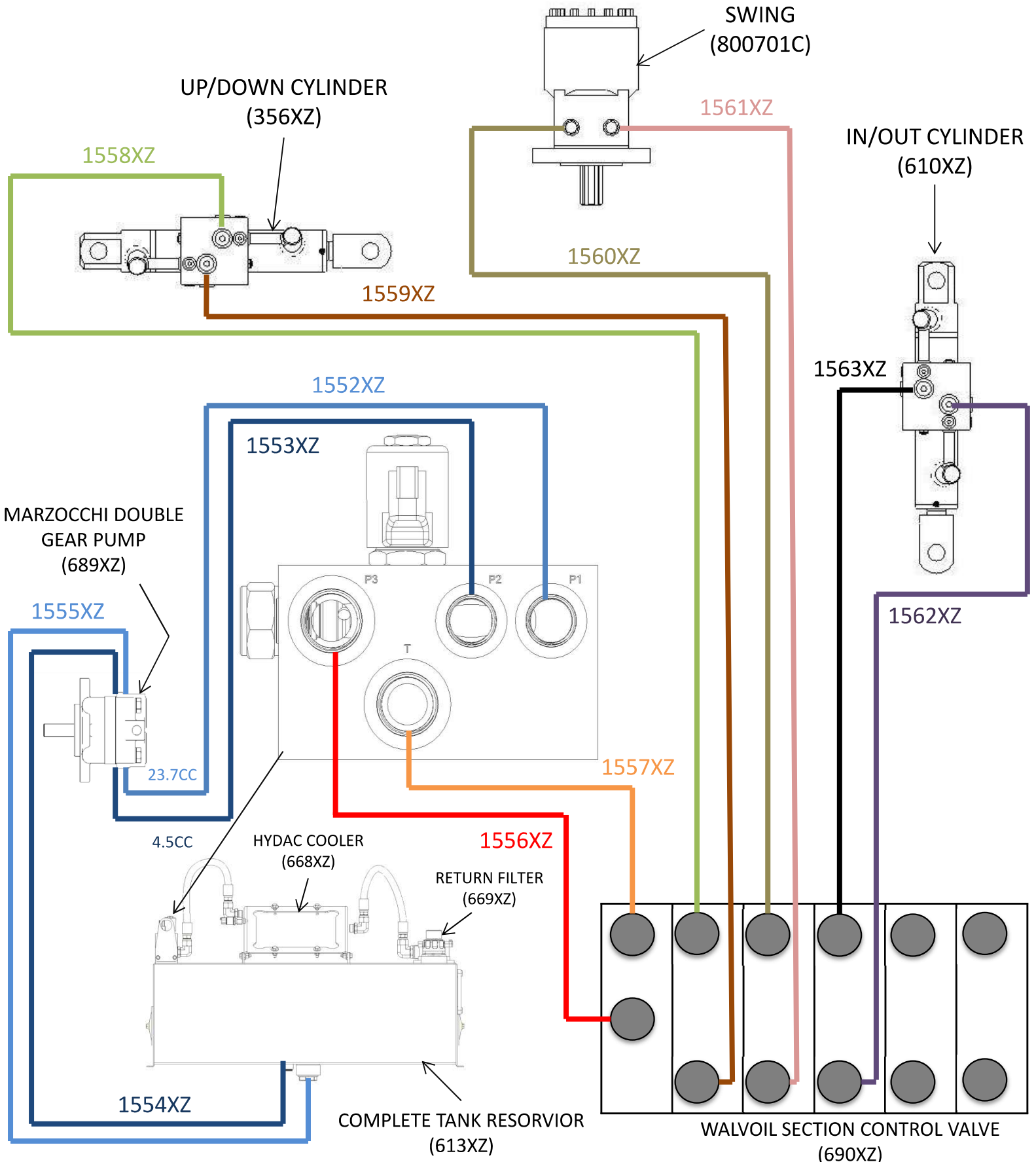


HYDRAULIC GROUP



HYDRAULIC GROUP

