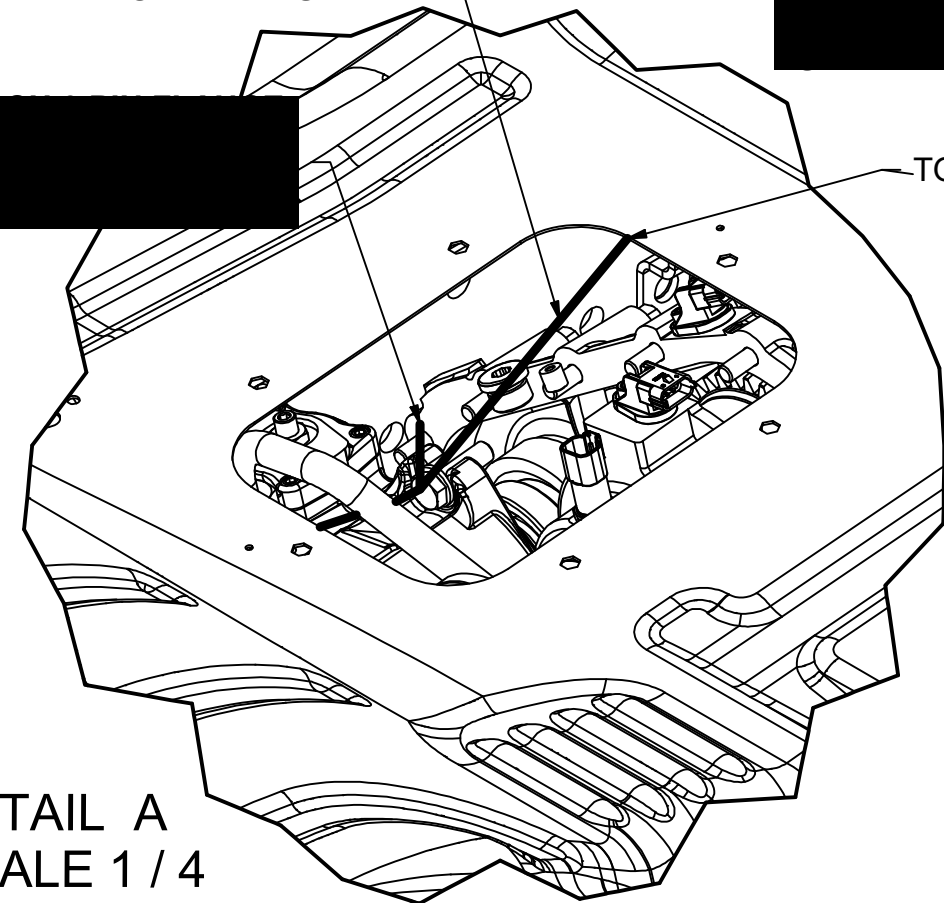


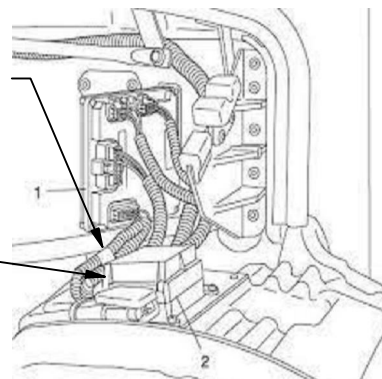
DCL1000SE
Length, Width, and
Height Dimensions

SECURE WIRES AWAY FROM DRIVE SHAFT



DETAIL A
SCALE 1 / 4

TO FUSE BOX



CONNECT PIN TO GREEN CONNECTOR, PIN A

ADD 10A FUSE ON F3

REVISION HISTORY				
REV	ECR	DESCRIPTION	DATE	ENGINEER
1	-	CREATED	8/15/2022	ARN

BATTERY -
BATTERY +

EYELET RELAY PWR
EYELET RELAY GND

DEUTSCH 2-PIN PLUG RELAY CMD

DEUTSCH 8-PIN PLUG MAIN HARNESS

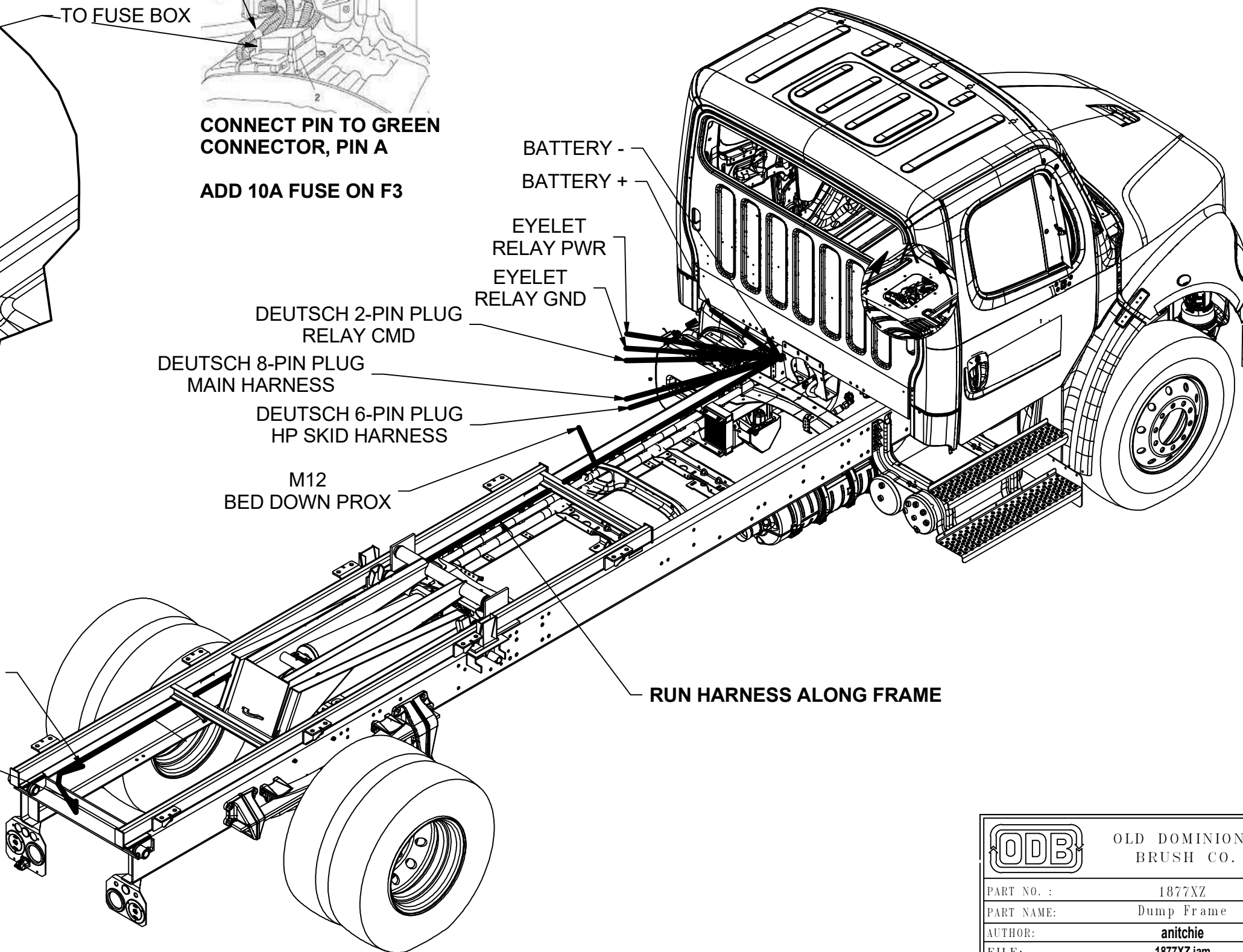
DEUTSCH 6-PIN PLUG HP SKID HARNESS

M12 BED DOWN PROX

RUN HARNESS ALONG FRAME

BULLET (TO TRUCK P7)

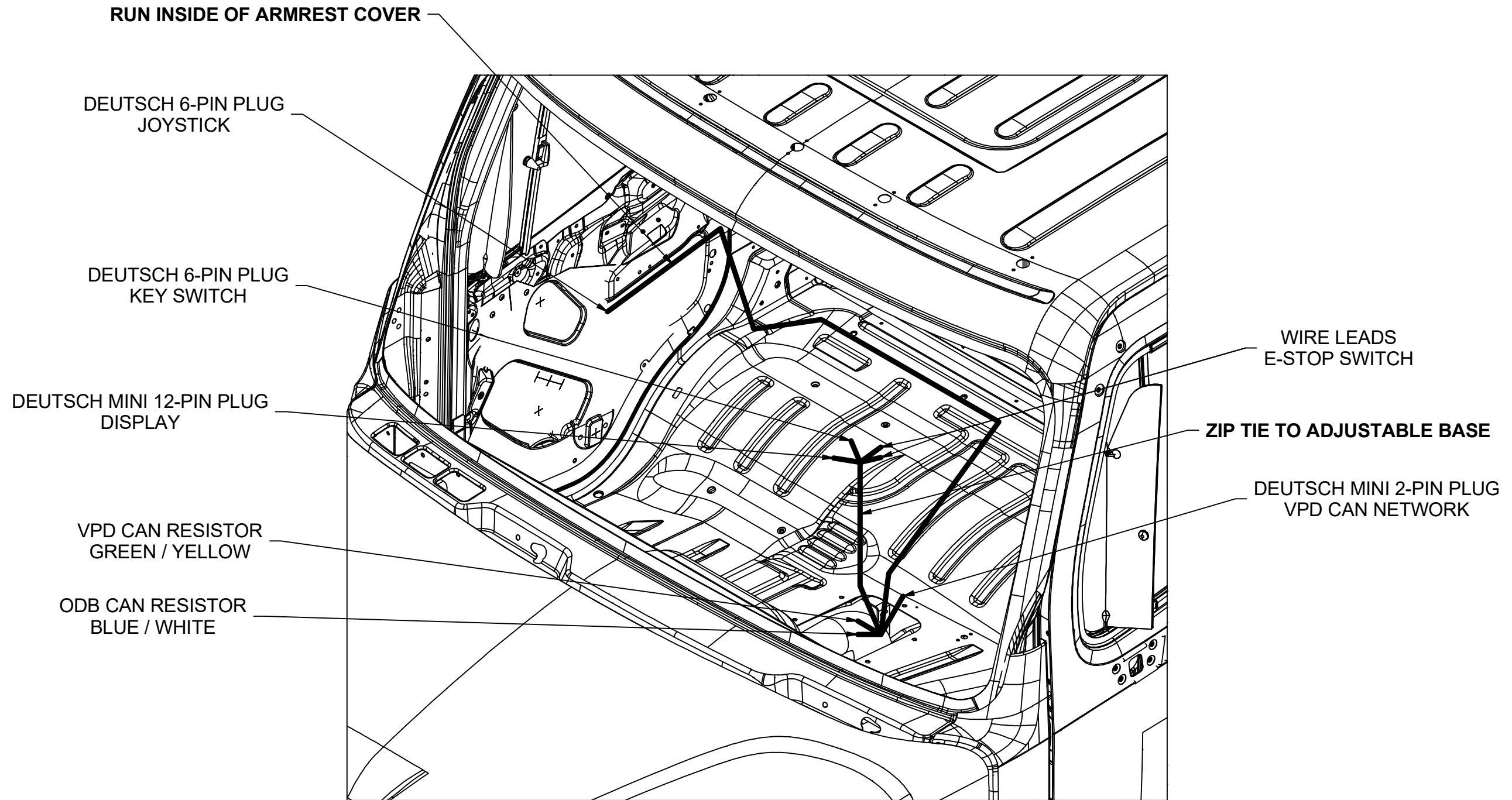
DEUTSCH 12-PIN PLUG BOX HARNESS




1936XZ TRUCK HARNESS

	OLD DOMINION BRUSH CO.
PART NO. :	1877XZ
PART NAME:	Dump Frame
AUTHOR:	anitchie
FILE:	1877XZ.iam
MATERIAL:	

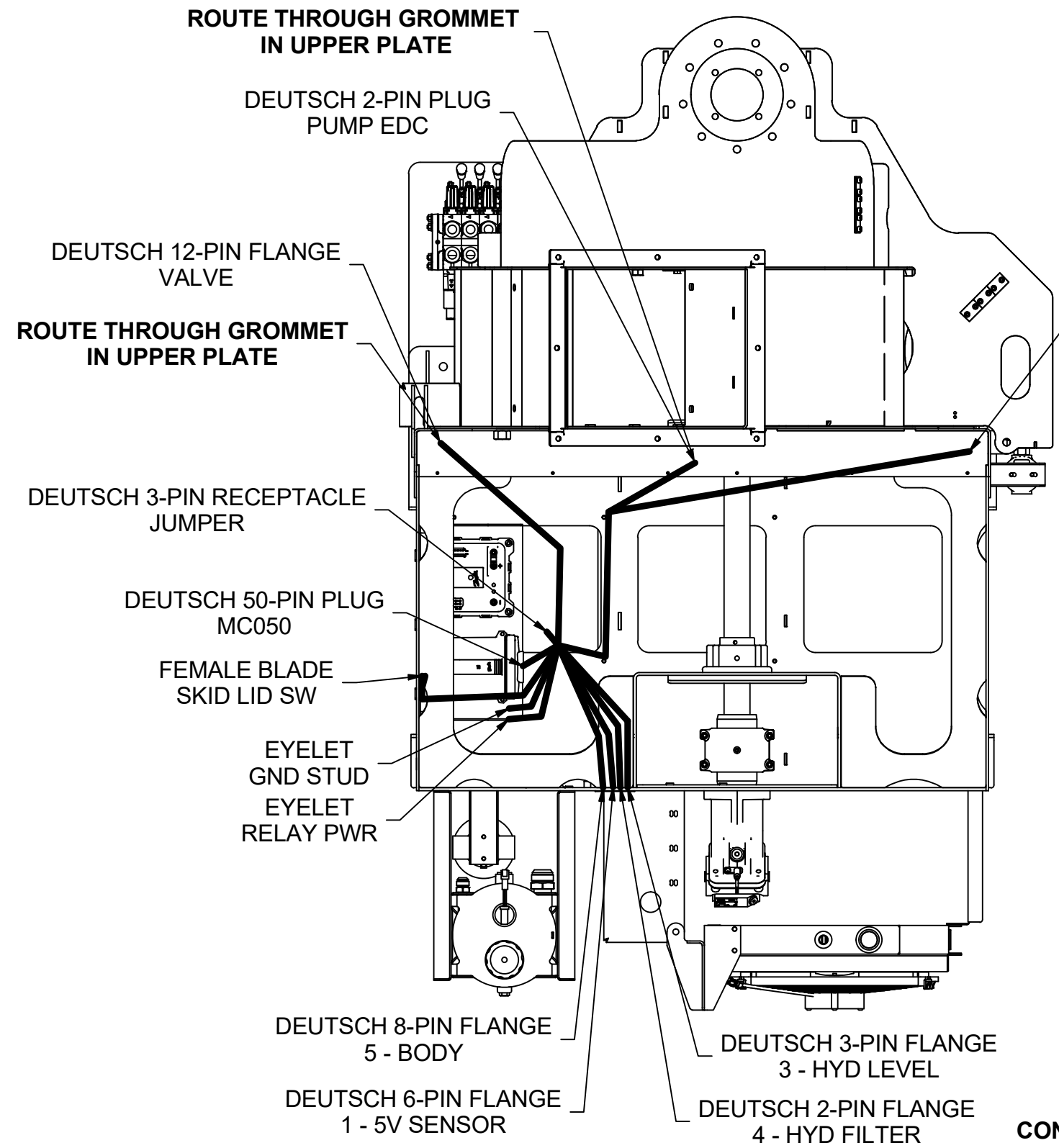
REVISION HISTORY				
REV	ECR	DESCRIPTION	DATE	ENGINEER
1	-	CREATED	8/15/2022	ARN



**1935XZ
CAB HARNESS**

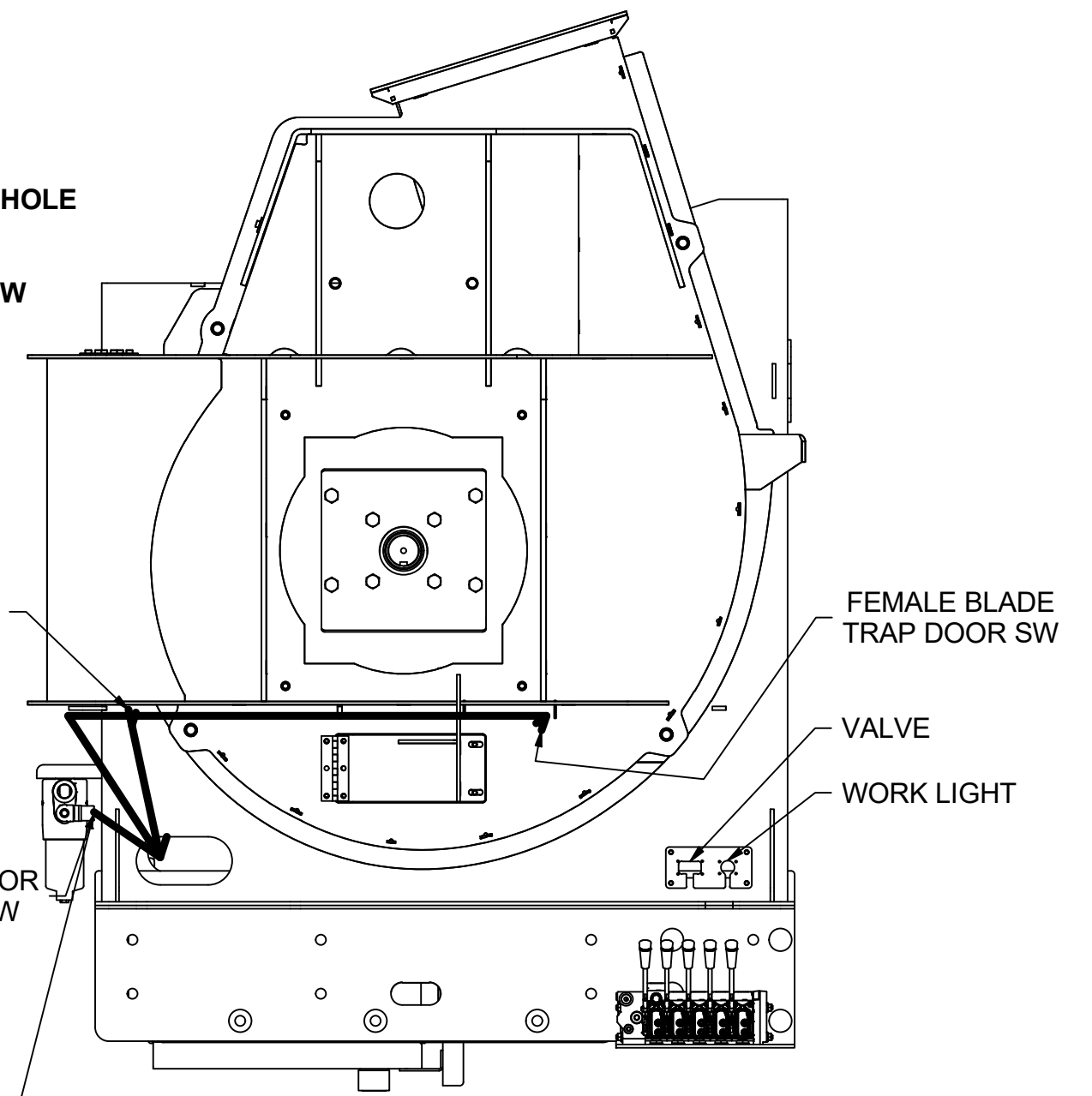
	OLD DOMINION BRUSH CO.
PART NO. :	1877XZ
PART NAME:	Dump Frame
AUTHOR:	anitchie
FILE:	1877XZ.iam
MATERIAL:	

REVISION HISTORY				
REV	ECR	DESCRIPTION	DATE	ENGINEER
1	-	CREATED	8/15/2022	ARN

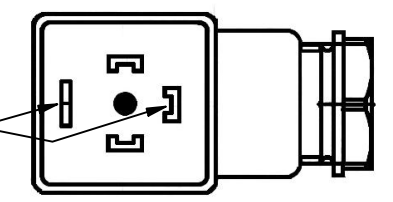


ROUTE THROUGH HOLE IN UPPER PLATE

- BLOWER SW
- TRAP DOOR SW
- HP FILTER



CONNECT 1 (GND) & 3

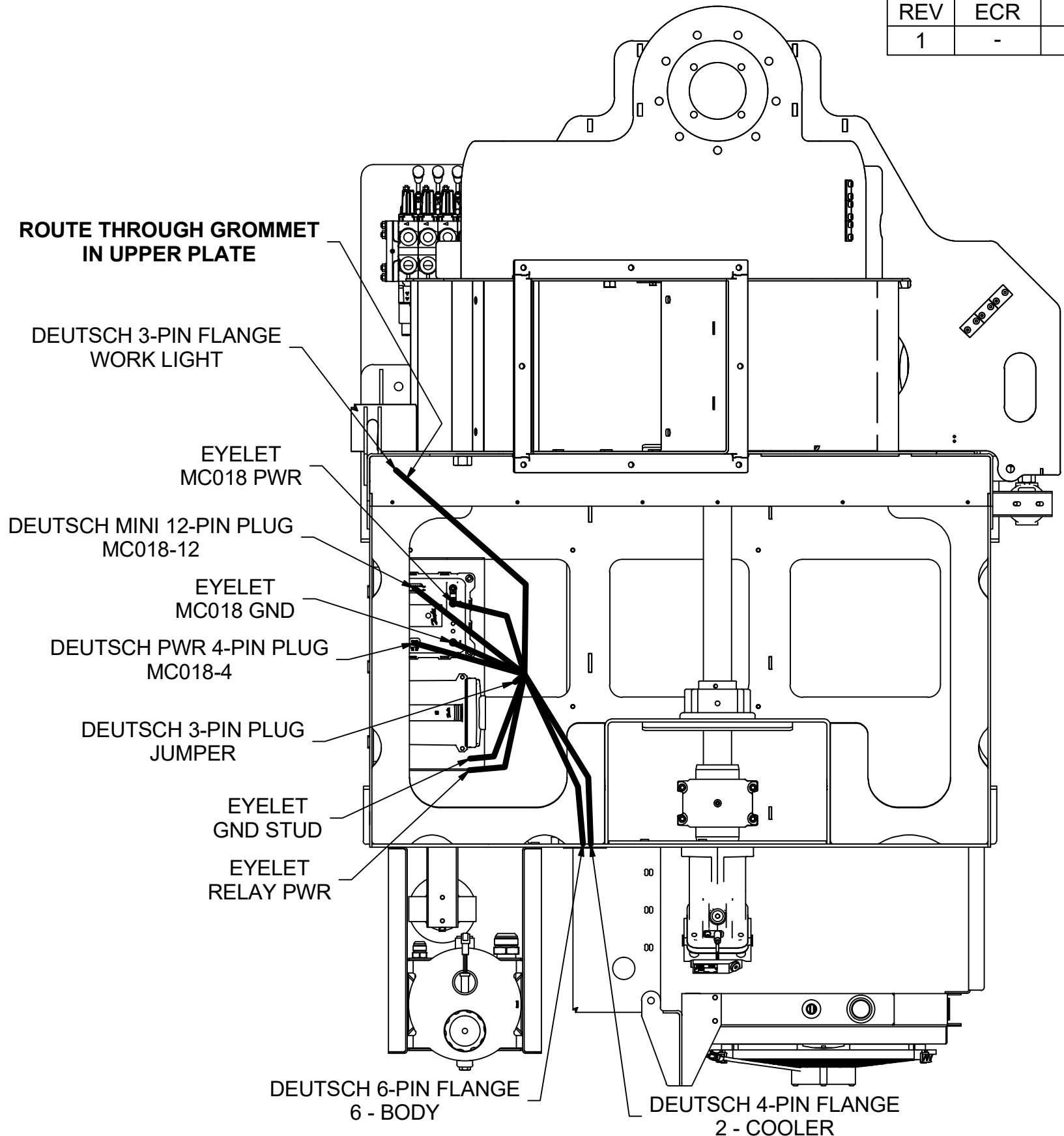


1937XZ MAIN HARNESS


	OLD DOMINION BRUSH CO.
PART NO. :	Project 221
PART NAME:	
AUTHOR:	ChrisT
FILE:	Project 221.iam
MATERIAL:	

REVISION HISTORY

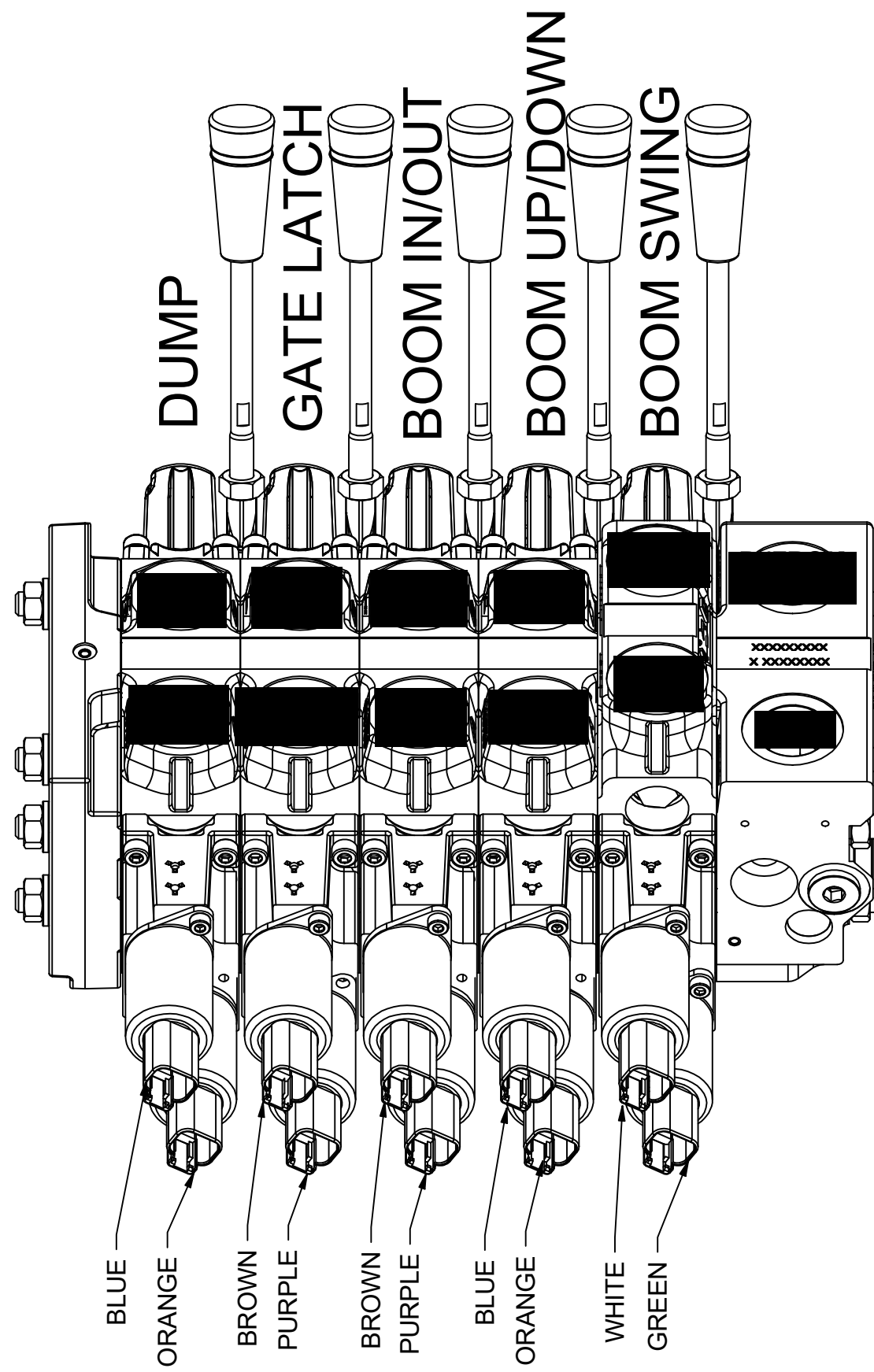
REV	ECR	DESCRIPTION	DATE	ENGINEER
1	-	CREATED	8/15/2022	ARN



1961XZ
HP SKID HARNESS

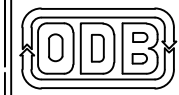
	OLD DOMINION BRUSH CO.
PART NO. :	Project 221
PART NAME:	
AUTHOR:	ChrisT
FILE:	Project 221.iam
MATERIAL:	

1938XZ
VALVE HARNESS



REVISION HISTORY				
REV	ECR	DESCRIPTION	DATE	ENGINEER
1	-	CREATED	8/15/2022	ARN

VIEW FROM REAR OF VALVE

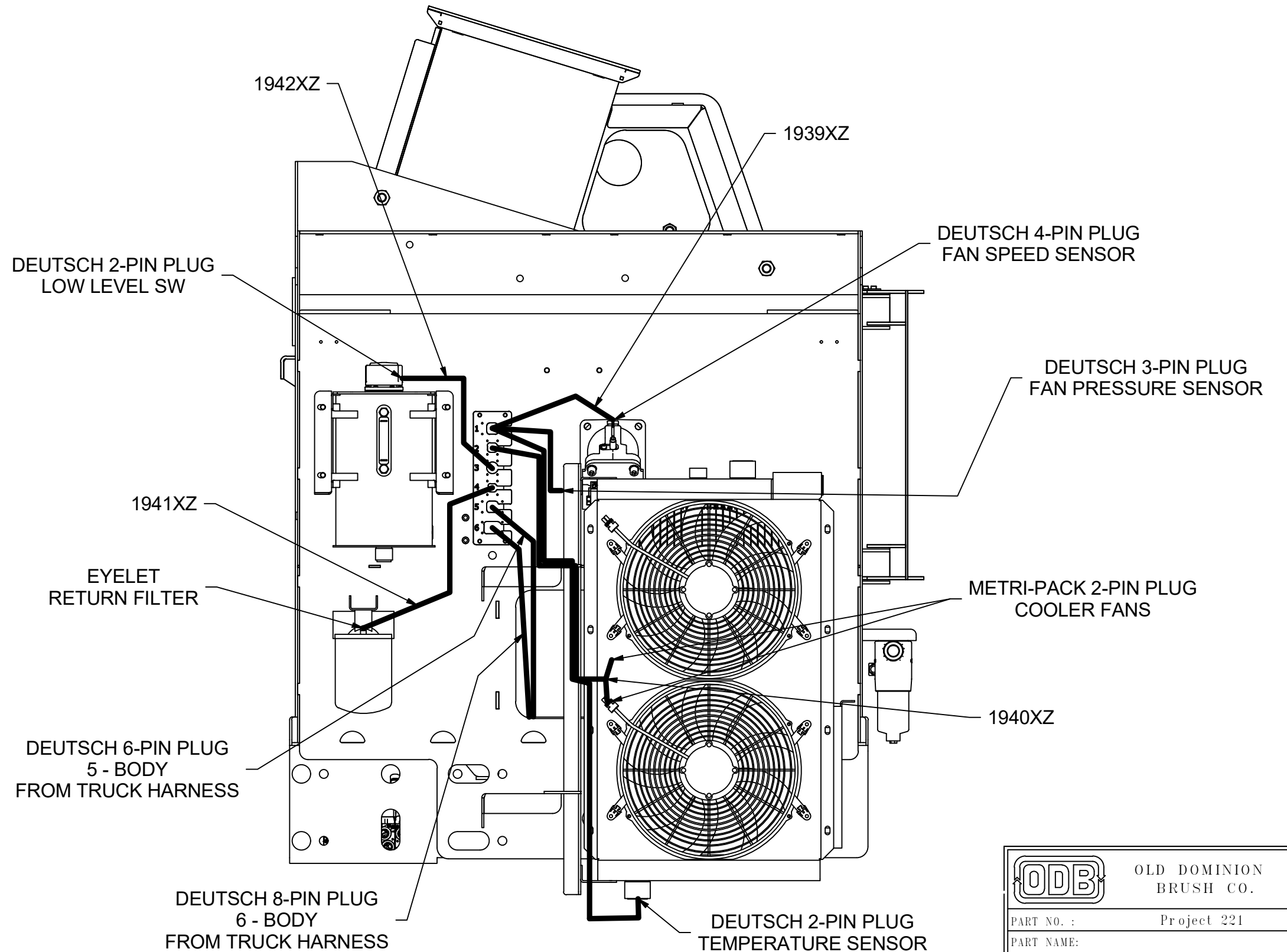
 OLD DOMINION BRUSH CO.	
PART NO. :	1699XZ
PART NAME:	
AUTHOR:	ChrisT
FILE:	1699XZ.ipt
MATERIAL:	Generic

REVISION HISTORY				
REV	ECR	DESCRIPTION	DATE	ENGINEER
1	-	CREATED	8/15/2022	ARN

FAN SPEED SENSOR WIRING:

1. RED
2. GREEN
3. BLACK
4. [PLUGGED]

TRIM OTHER WIRES ON SENSOR
FLUSH TO SHEATHING




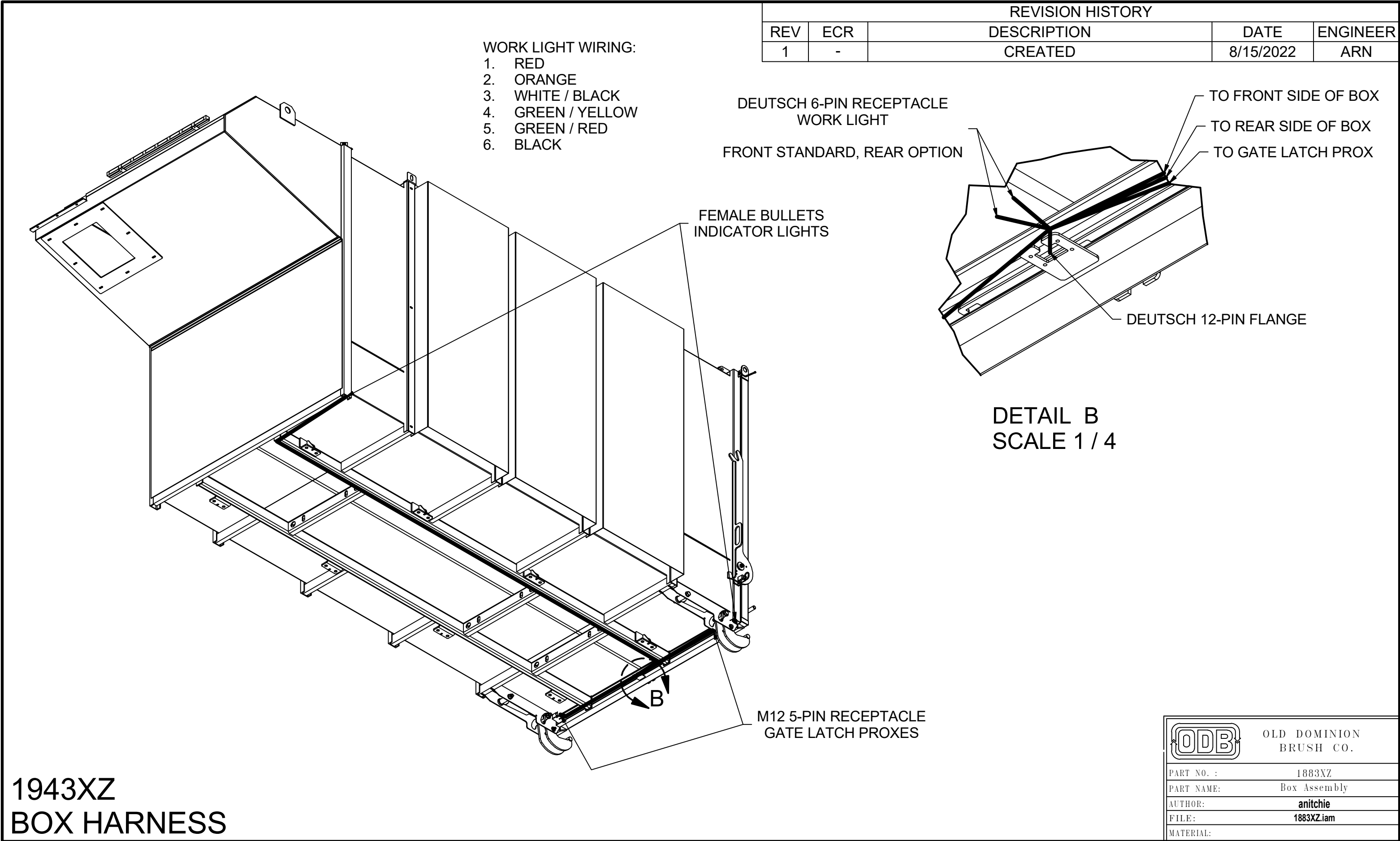
1939XZ
5V SENSOR HARNESS

1940XZ
COOLER FAN HARNESS

1941XZ
RETURN FILTER HARNESS

1942XZ
TANK HARNESS

	OLD DOMINION BRUSH CO.
PART NO. :	Project 221
PART NAME:	
AUTHOR:	ChrisT
FILE:	Project 221.iam
MATERIAL:	

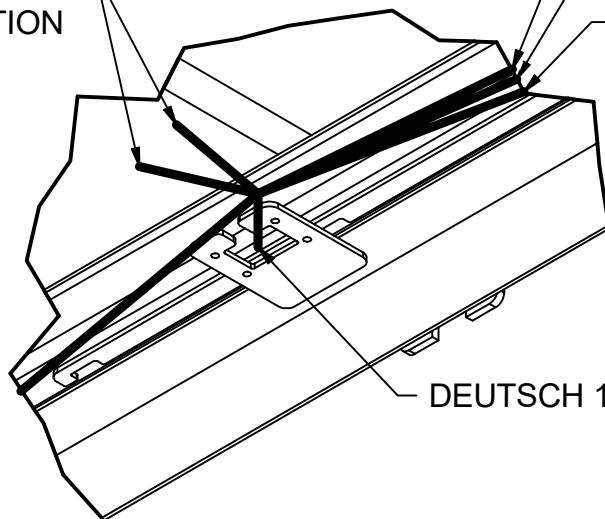


- WORK LIGHT WIRING:
1. RED
 2. ORANGE
 3. WHITE / BLACK
 4. GREEN / YELLOW
 5. GREEN / RED
 6. BLACK

REVISION HISTORY				
REV	ECR	DESCRIPTION	DATE	ENGINEER
1	-	CREATED	8/15/2022	ARN

DEUTSCH 6-PIN RECEPTACLE
WORK LIGHT
FRONT STANDARD, REAR OPTION

TO FRONT SIDE OF BOX
TO REAR SIDE OF BOX
TO GATE LATCH PROX



DEUTSCH 12-PIN FLANGE

DETAIL B
SCALE 1 / 4

FEMALE BULLETS
INDICATOR LIGHTS

M12 5-PIN RECEPTACLE
GATE LATCH PROXES

1943XZ
BOX HARNESS

	OLD DOMINION BRUSH CO.
PART NO. :	1883XZ
PART NAME:	Box Assembly
AUTHOR:	anitchie
FILE:	1883XZ.iam
MATERIAL:	